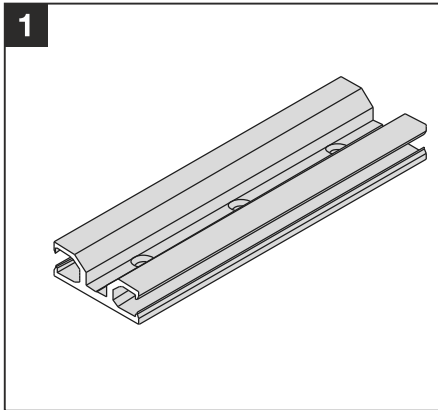
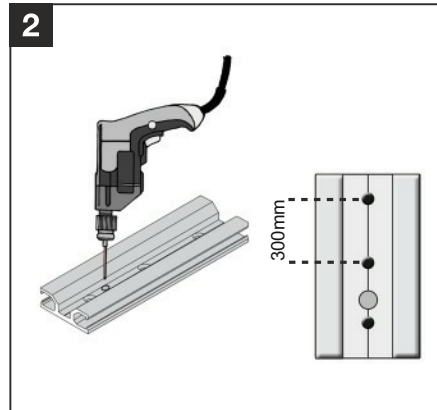


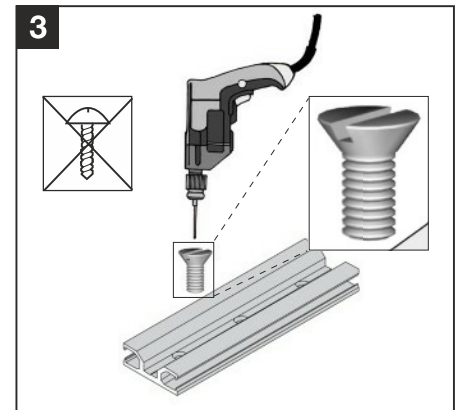
## COVER LINE - SAFETY EDGE FITTING INSTRUCTIONS



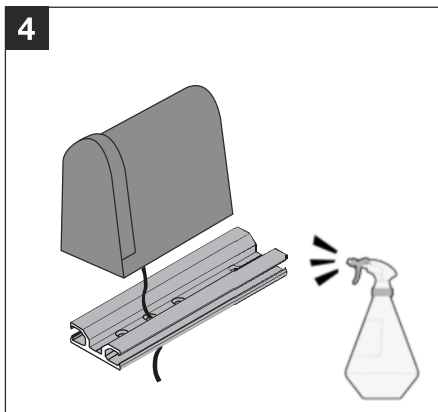
Mount the aluminium rail on a flat surface. Pay attention to the minimal bending radius.



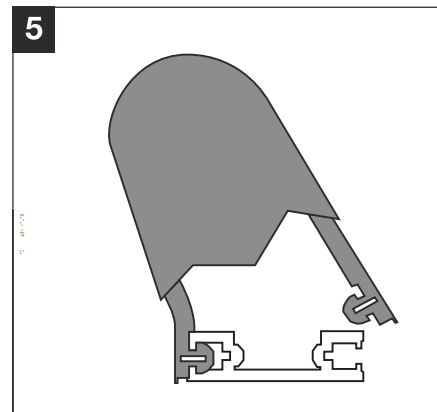
Recommended distance between holes = 300 mm (11.81").



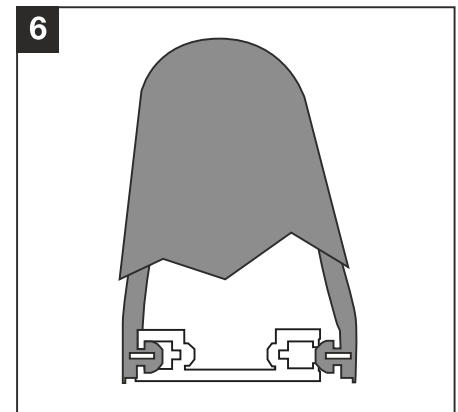
The aluminium rail must be fixed with **flatheaded** screws or rivets.



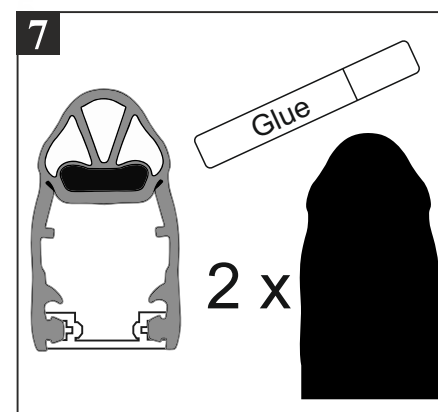
Silicon Spray or WD40 can be used when fixing the edge into the aluminium mounting rail.



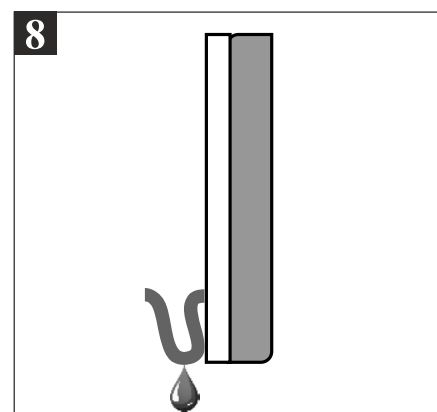
Insert one side of the mounting foot into the channel and push in along the whole length of the edge.



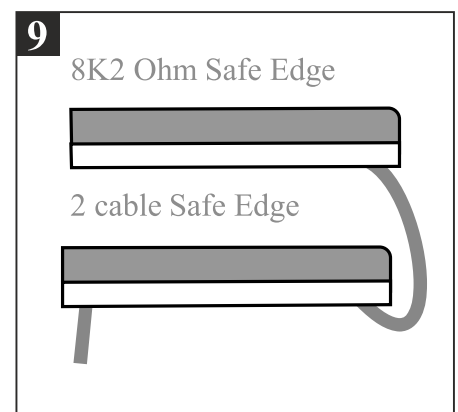
Pull edge over the aluminium and repeat process along the other side of the edge.



If fitting the 40/081 profile, once the safe edge is mounted, using the glue supplied, fit both end caps. Trim excess rubber as required.



When mounting safe edge, try to Loop the cable to ensure water Drains away from entry point



Note: When wiring 2 safe edges in series you will require a one resistive Edge and one 2 cable edge as shown in the above diagram.

### Contact details

IN2 Access & Control Ltd.

Unit 6A Mile Oak,

Maesbury Road Ind. Est.

Maesbury Road,

Oswestry

Shropshire

SY10 8GA